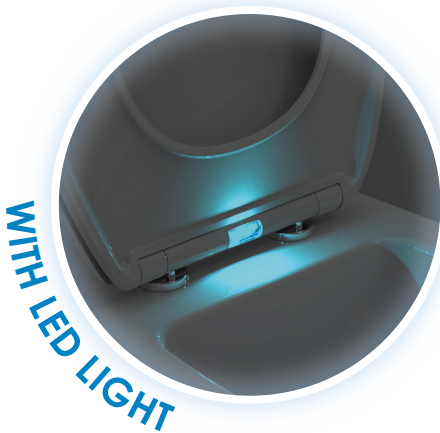
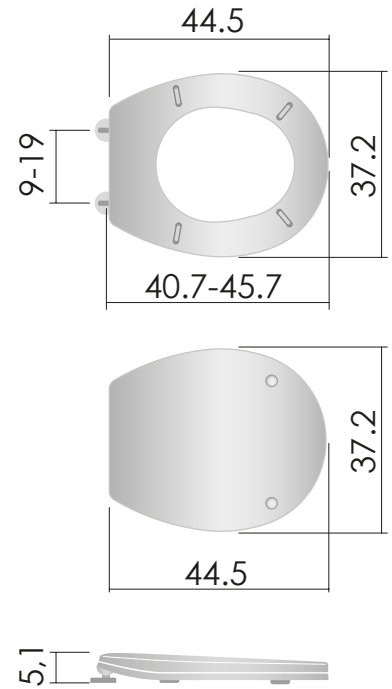


Sedile WC in Termoisolante

SOLUTION LED

Cod. 2FSE204502



Nylon, adjustable, quick release, top and bottom fixing with led light



Kg. 2,300



Kg. 2,600



m² 0,0105



5 pcs

Kg. 13,500



5 pcs

m² 0,085