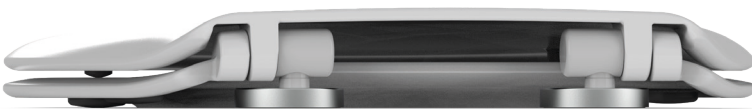
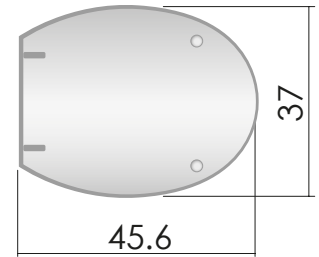
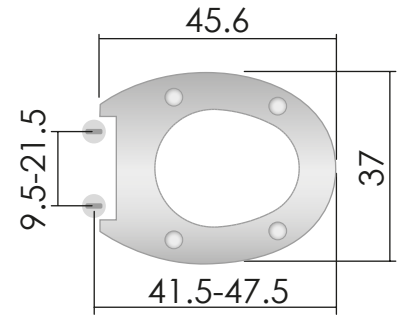


Sedile WC in Termoindurente

SHAPE

Cod. 2FSE029602CE



Nylon, adjustable, quick release, top and bottom fixing with metal cover

Kg. 2,150	Kg. 2,600	m ³ 0,0120	5 pcs	5 pcs
			Kg. 13,650	m ³ 0,070