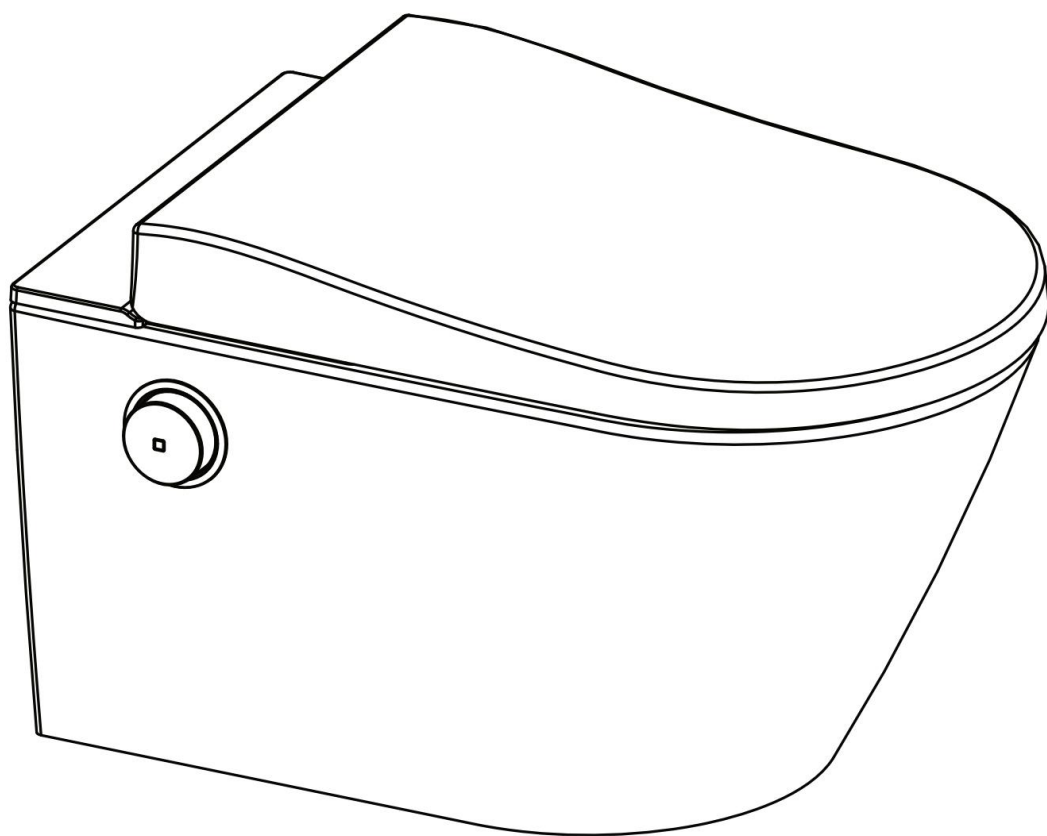


INSTRUCTIONS



Popodusche PRO 3.0

safety instructions

LIABILITY CONDITIONS

- The supplier shall not be held liable for damage resulting from failure to comply with the following provisions:
1. This product is an electrical device that must be connected to a grounding system.
 2. People with physical disabilities or people without the necessary skills (or children) should not use this device without a supervisor.
 3. This product is an electrical device, please pay attention to the correct installation.

Please always ensure that your bathroom is well ventilated.

SAFETY INSTRUCTIONS

1. Do not insert the power plug with wet hands or out.

Otherwise there is a risk of electric shock.

2. Do not damage the power cord and plug.

Otherwise there is a risk of electric shock, short circuit and fire.

3. Do not use loose socket.

Otherwise there is a risk of electric shock and fire.

4. The electrical connection must comply with the regulations.

Otherwise there is a risk of product damage and fire.

5. Do not disassemble the product without professional skills.

Otherwise there is a risk of electric shock or fire.

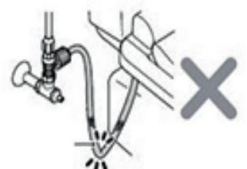
6. Be careful not to splash water, detergent or urine on the product and the power plug. Otherwise there is a risk of electric shock.

7. Install connections according to your directional requirements.

Otherwise, it may cause product damage.

8. Do not bend, deform, or pinch the inlet hose.

Otherwise there is a risk of water leakage.





This marking shown on the product or its literature, indicates that it should not be disposed with other household wastes at the end of its working life. To prevent possible harm to the environment or human health from uncontrolled waste disposal, please separate this from other types of wastes and recycle it responsibly to promote the sustainable reuse of material resources.

Household users should contact either the retailer where they purchased this product, or their local government office, for details of where and how they can take this item for environmentally safe recycling.

Business users should contact their supplier and check the terms and conditions of the purchase contract.

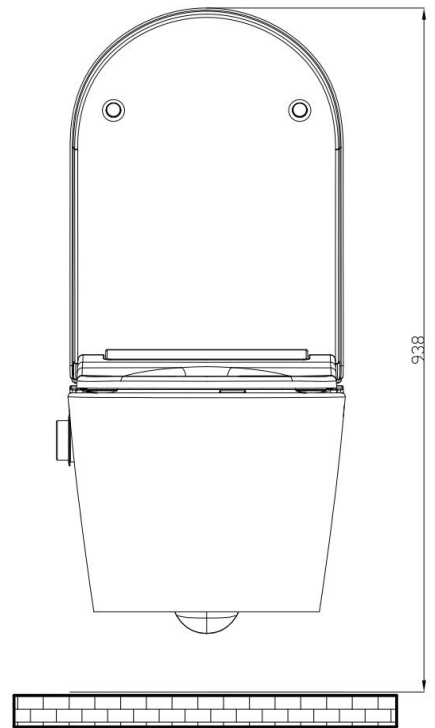
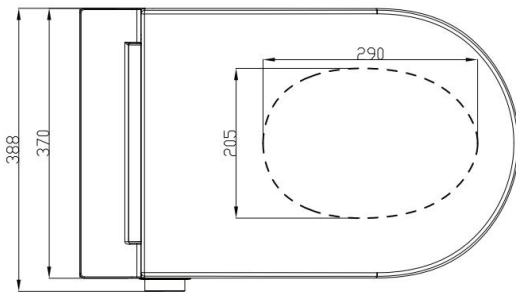
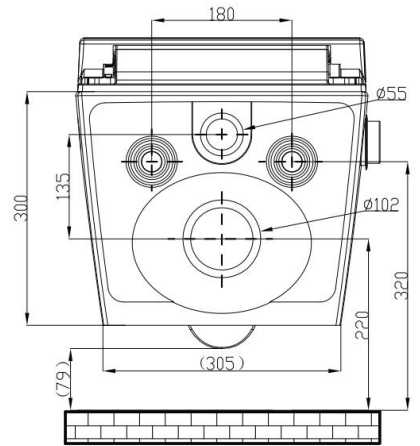
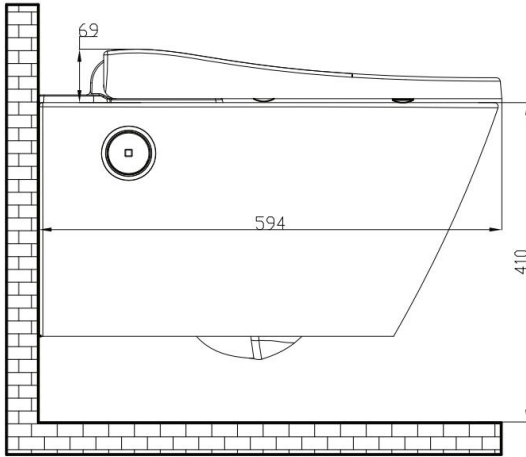
This product should not be mixed with other commercial wastes for disposal.

Technical information

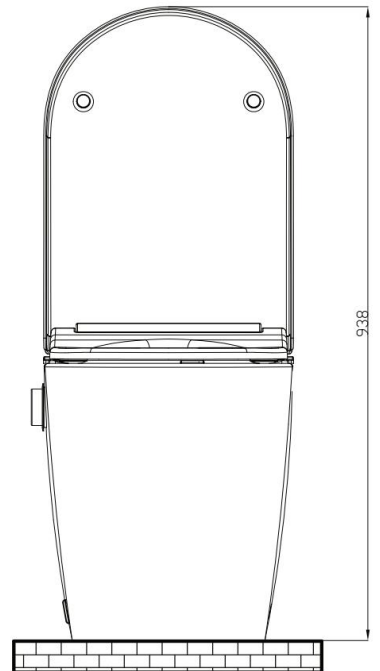
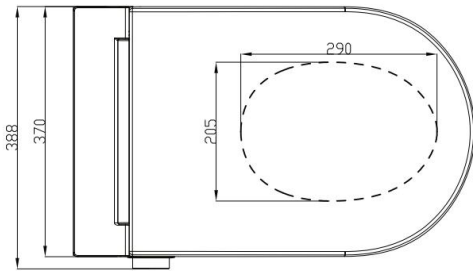
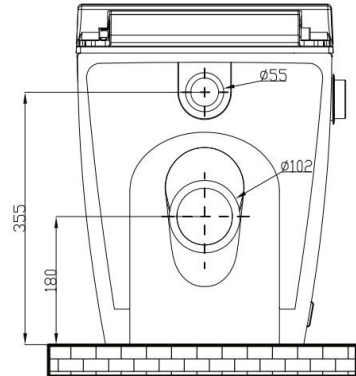
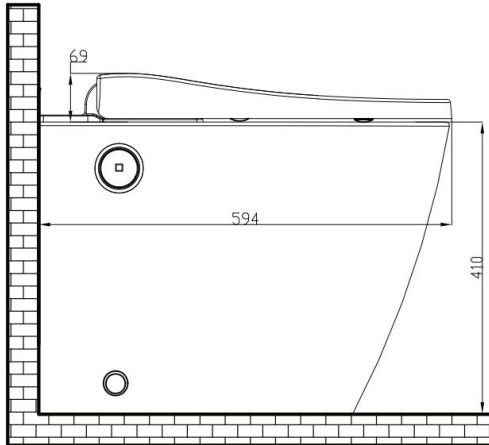
TECHNICAL SPECIFICATION

Shower	Rear shower	
	Lady shower	
	Oscillating shower jet	
	Pulsating shower jet	
	Oscillating and pulsating shower jet	
	Adjustable water temperature	5 levels (default 3)
	Adjustable shower jet intensity	5 levels (default 3)
	Adjustable shower jet position	5 levels (default 5)
Warm air	air dry	
	Adjustable drying temperature	5 levels (default 3)
Hygiene	Odor extraction	
	Nozzle self-cleaning	
	Clean nozzle manually	
	2 users	
	Night light	
	Decalcification	
	Intelligent energy saving	
	Soft close seat	
	Control knob	
	Remotecontrol	
	Rimless toilet	
	Water connection	G 3/8"
	Nominal voltage	240 V, 50/60 Hz
	Perfomance	950 W
	Power cord length	1.80 m
	Water supply pressure	0.07 - 0.75 MPa (0.7-7.5 bar)
Water supply temperature	4°C - 35°C	
Operating temperature range	4°C - 40°C	
Protection class	IPX4 350	
Shower settings	Water temperature	31°C - 39°C
	Washtime	2 minutes
	Heating model	hot water tank
	Maximum heat output	1200W
	Safety devices	thermal cutoff fuses, level switch, thermostat air gap, to EN1717
Drying device	Maximum air speed	
	Maximum dryer performance	5m/s 280W 3 minutes
	Dry cycle	low (approx. 35°C) - high (approx. 50°C)
	Warm air temperature range	
	Safety devices	Thermal cut-off fuses, thermostat diatoms
	Odor absorption method	(Diatom pure)
	Security device	Earth protection
	Net weight	32 kg W 384 x
Dimensions	D 593 x H 380 mm	

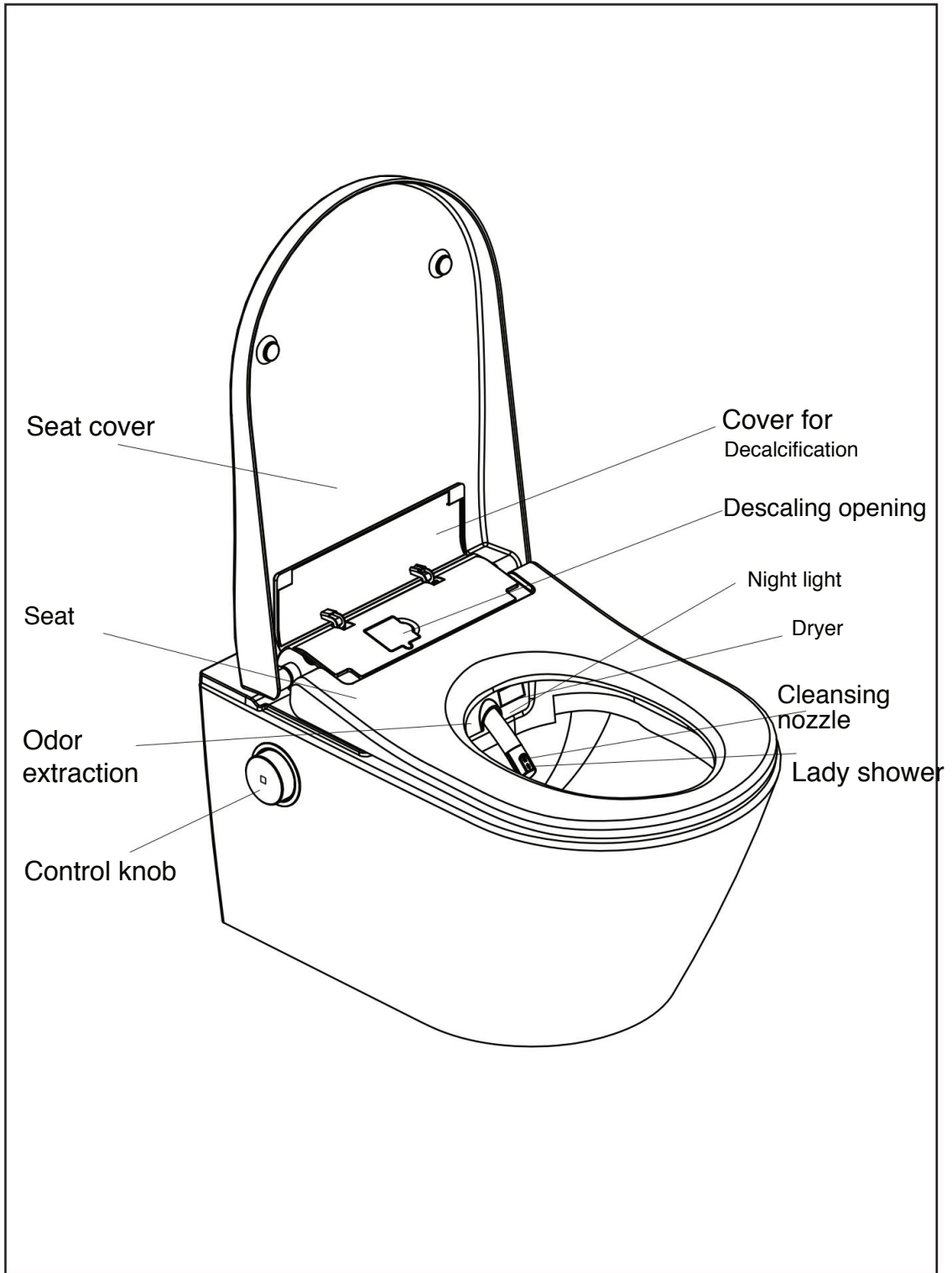
Dimensional drawings



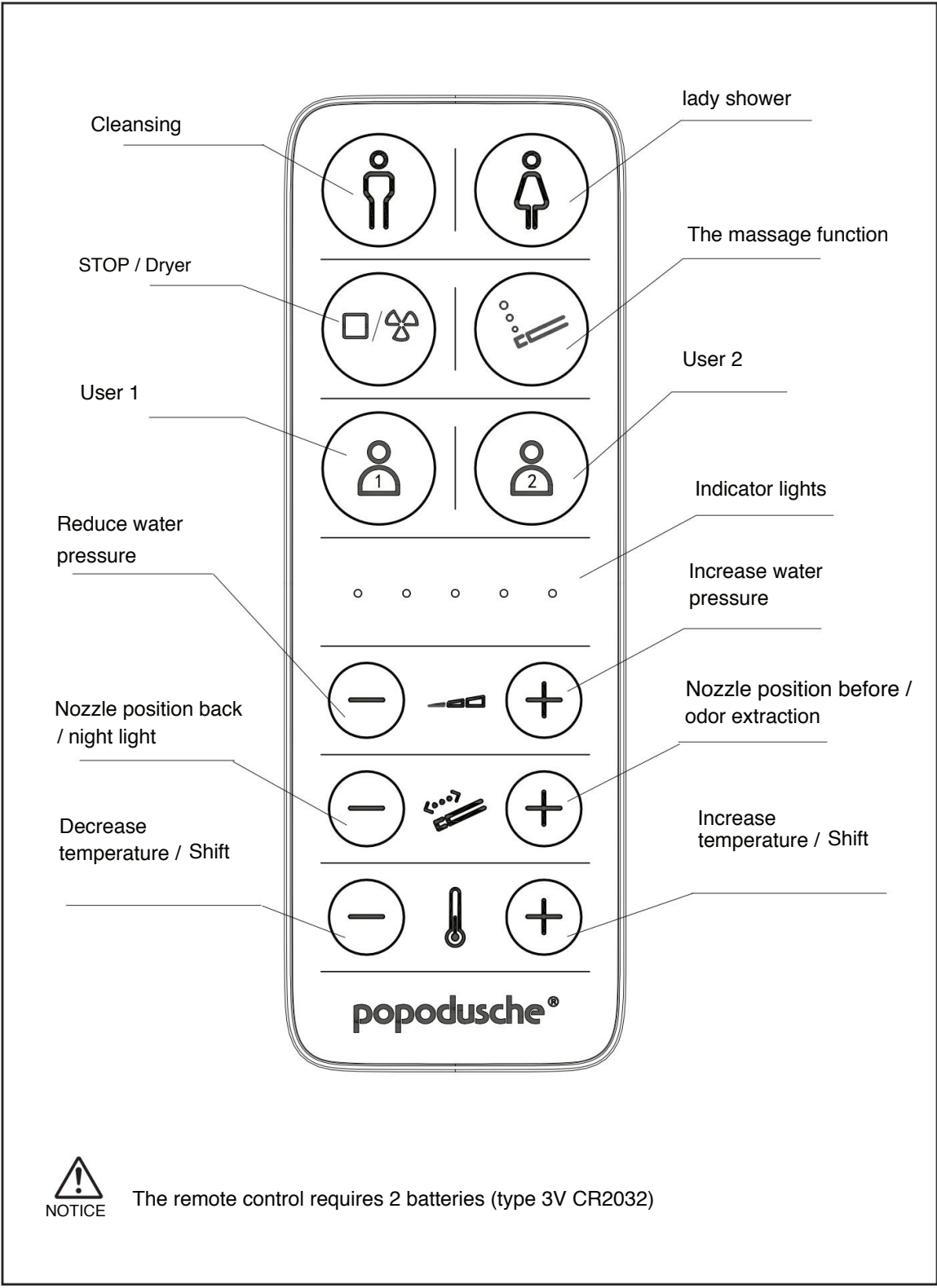
Dimensional drawings



Product overview



Overview remote control



The remote control requires 2 batteries (type 3V CR2032)

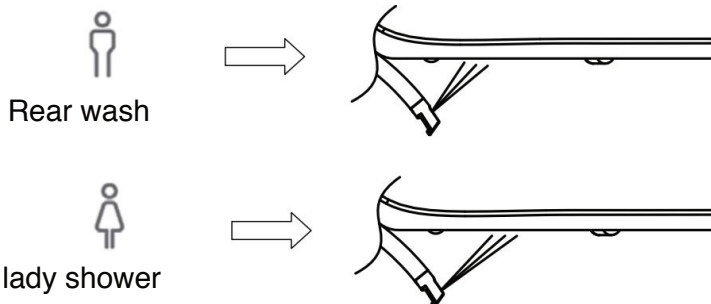
Functions

• Rear wash / Ladydusche

Press the "Cleansing or LADY" button on the remote control to activate the shower jet.

The process stops automatically after 2

minutes or you can end the process manually by pressing the "STOP" button.



OR

You can also start the bottom shower function with the control knob. To do this, press the center of the control button once. The process ends automatically after 2 minutes.

You can end the function by pressing the button again.



Rear wash / STOP

• HEAT DRYER

Press the "STOP/Dryer" button on the remote control.

The drying process lasts 3 minutes and then ends automatically.

Pressing the button again ends the process.



Settings

• Massage **shower**

With the "Massage" button on the remote control you can select the desired shower jet function.



Oscillating: When an indicator light is on.



Pulsing: When two indicator lights are on.

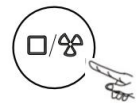


Oscillating and pulsing: When three indicator lights are on.



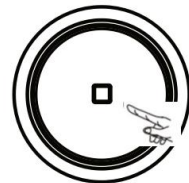
• **STOP**

Press the "Stop" button on the remote control to stop the washing or drying process manually.



OR

Press the control knob in the middle to stop washing or drying.



Settings

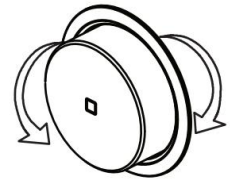
• Adjust water strength

Press the "Reduce water pressure" or "Increase water pressure" button on the remote control to adjust the shower jet strength.



OR

You can control the amount of water by turning the control knob. The shower jet intensity increases clockwise and decreases anti-clockwise.



reduce

raise

• Set the Dryer strength

While the hairdryer function is running, you can adjust the strength of the hairdryer by pressing the "Reduce water pressure" or "Increase water pressure" button on the remote control.



• Adjusting the nozzle position

You can adjust the position of the nozzle by pressing the "Nozzle position forwards" or "Nozzle position backwards" button.

Default setting is position 5



OR

You can control the position on the control knob.

To do this, press the button inwards and turn it in the desired direction at the same time.



Settings

• Adjust water temperature

This setting is only possible while the bottom or lady wash function is running.

Repeatedly press the 'Temperature Increase' or 'Temperature Decrease' button on the remote control to adjust the temperature.



• Set the hair dryer temperature

This setting is only possible while the hairdryer function is running.

Repeatedly press the "Temperature Increase" or "Temperature Decrease" button on the remote control to adjust the blow dryer temperature.



• Basic setting for odor extraction.

The odor extraction starts after the user is in the sitting position. The process ends one minute after leaving the toilet.

Hold down the "Shift" key and then press the "Odor Extraction" key. Pressing again turns the function on or off.

The indicator lights show the current setting.

Odor extraction deactivated



Odor extraction activated

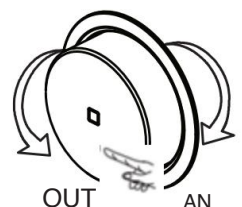
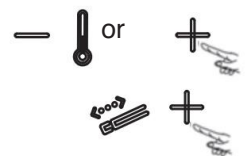


OR

Open the lid and sit on the glasses (active seat sensor)

Press the button inwards and at the same time turn in the desired direction.

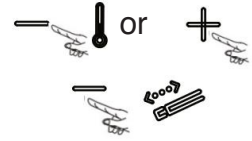
If you turn clockwise, the odor extraction is switched on. Turn it counterclockwise to turn it off.



Settings

• Set night light

Hold down the "Shift" key and then press the "Night Light" key. Pressing again turns the function on or off.



The indicator lights show whether the light is activated.

Night light off

○

light on

○ ○

OR

Open the lid (inactive seat sensor)

Turn the knob counterclockwise to turn on the light.
Turn the knob anti-clockwise again to turn off the light.

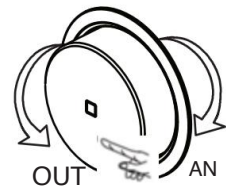


• Set user tone

Open the lid

Press the button inwards and at the same time turn in the desired direction.

If you turn clockwise, the odor extraction is switched on. Turn it counterclockwise to turn it off.



• Device off-on

Press and hold the control button for at least 6 seconds to switch off the device.

Press and hold the control button again for 6 seconds to turn the device back on.



• User Storage

1. Save the user setting

You can only save the shower jet strength, nozzle position and temperature.

First make your desired setting.

When you have made the optimal setting, press and hold the "User 1" or "User 2" button for more than three seconds to save the settings to a user.

Then end the shower process by pressing the stop button on the remote control.

2. Retrieve user settings


Press the "User 1" or "User 2" button on the remote control to recall the saved settings and then start the shower process.




Maintenance

Daily	Remove water droplets with a soft, lint-free cloth Cloth to avoid lime stains
Weekly	Clean all surfaces and corners, including the spray nozzle if necessary. See "Nozzle Cleaning".
Monthly	Clean the toilet bowl with a low-acid cleaner cleaning supplies
Every 4-6 months	Descale the device, see "Descaling the device"
Every 1-2 years	Change the water filter and the activated carbon filter

Cleaning glasses/lids




soft, lint-free cloth




mild cleaner, no abrasives




Cleaning the ceramics



soft, lint-free cloth



WC cleaner



Brush



NOTICE

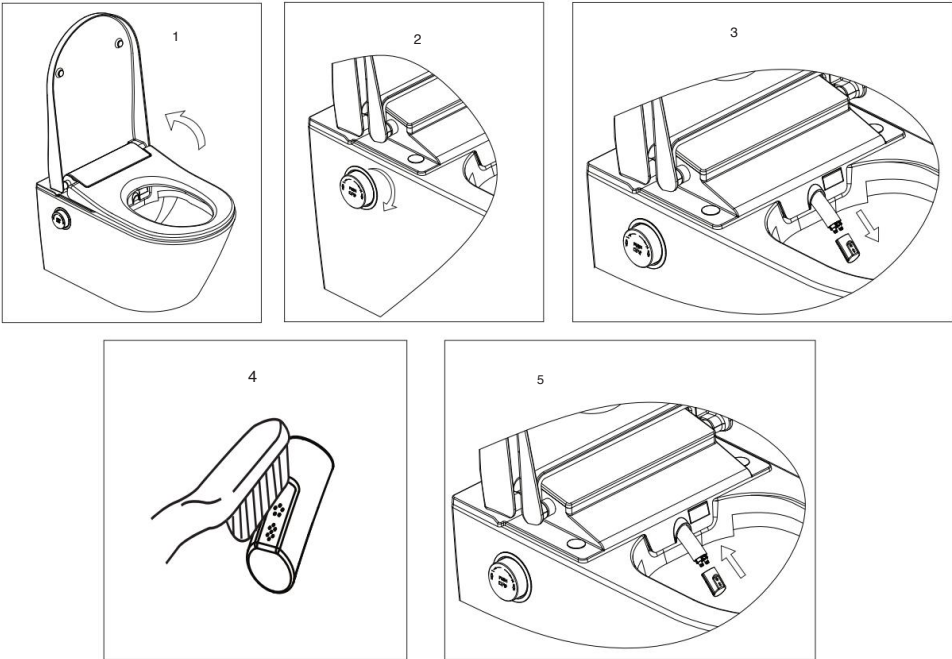
If the device is not used for more than 72 hours, the self-cleaning and hygiene flushing starts.
This runs for about 5 minutes before the first use.
You can stop the function by pressing the "STOP" button on the remote control or the control knob.

Nozzle cleaning

° Self-cleaning starts automatically before and after each use.

For manual nozzle cleaning, proceed as follows:

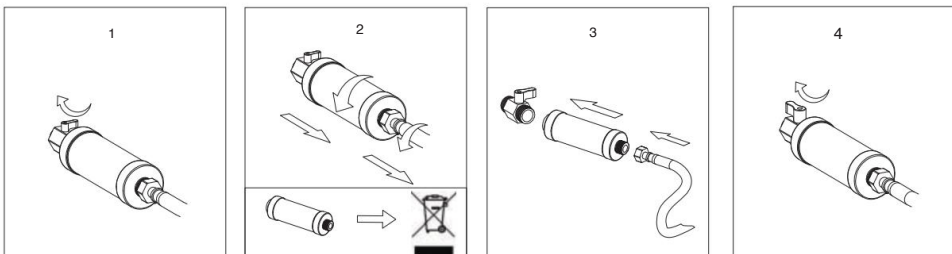
- 1.) open glasses and lid
- 2.) turn the control knob clockwise forwards
- 3.) Now the nozzle extends and the hygiene flush runs (for approx. 5 minutes)
- 4.) pull the nozzle head straight forward and clean it
- 5.) Put the nozzle head back on the shower arm and press the "STOP" button on the control knob



Replacing the water filter

The filter should be replaced every 1-2 years.

If the water pressure of the shower jet is too low, this can be an indication that the filter needs to be replaced.



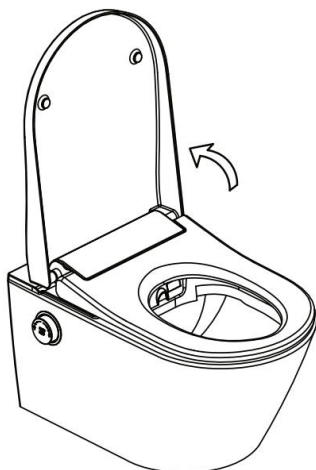
Descal the device

- Descal the device every 4-6 months. Depending on the frequency of use and the water quality.
- The shower toilet cannot be used while the descaling program is running.
- The descaling program takes about 30 minutes. During this time, the device makes noises and the control knob flashes red. use a suitable liquid descaling agent.
- (e.g. descaler for coffee machines)



Danger! Aggressive descaling agents can be harmful to you and the device.

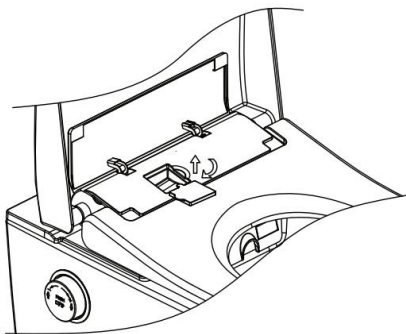
Open the cover on top of the device



After opening the cover, some water runs out of the nozzle.

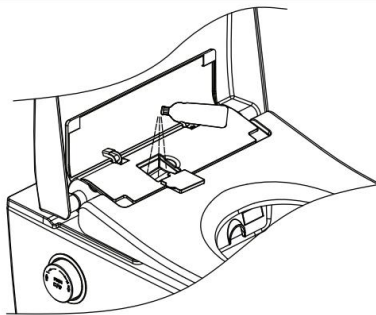


Open the rubber cover and turn it aside



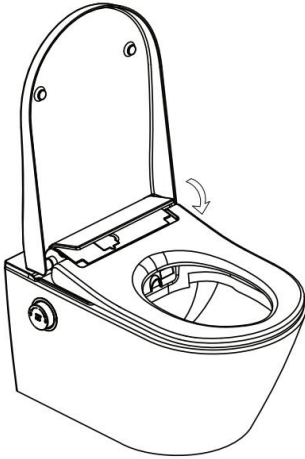
Fill in the liquid descaler.

Capacity between 100-150 ml



Descal the device

Close the rubber cover and the top cover



After closing the cover, the descaling process starts.

During the descaling process, you can continue to use the toilet without shower functions.

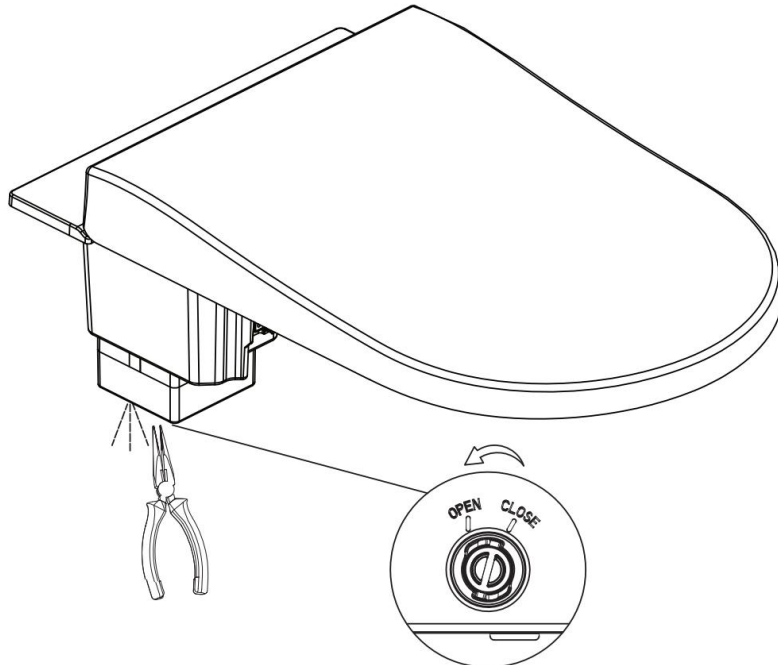
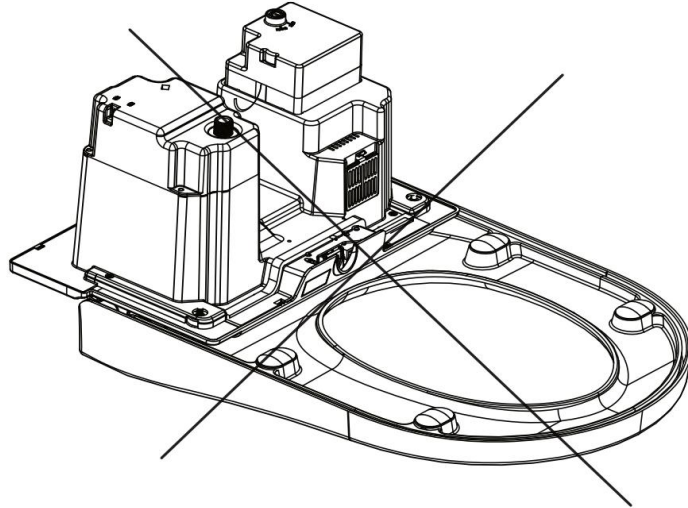
The process takes about 30 minutes. During this time, the button's LED will flash red.

As soon as you hear a long "beep" and the control button stops flashing red, the device is ready for use again.

Emptying the water tank

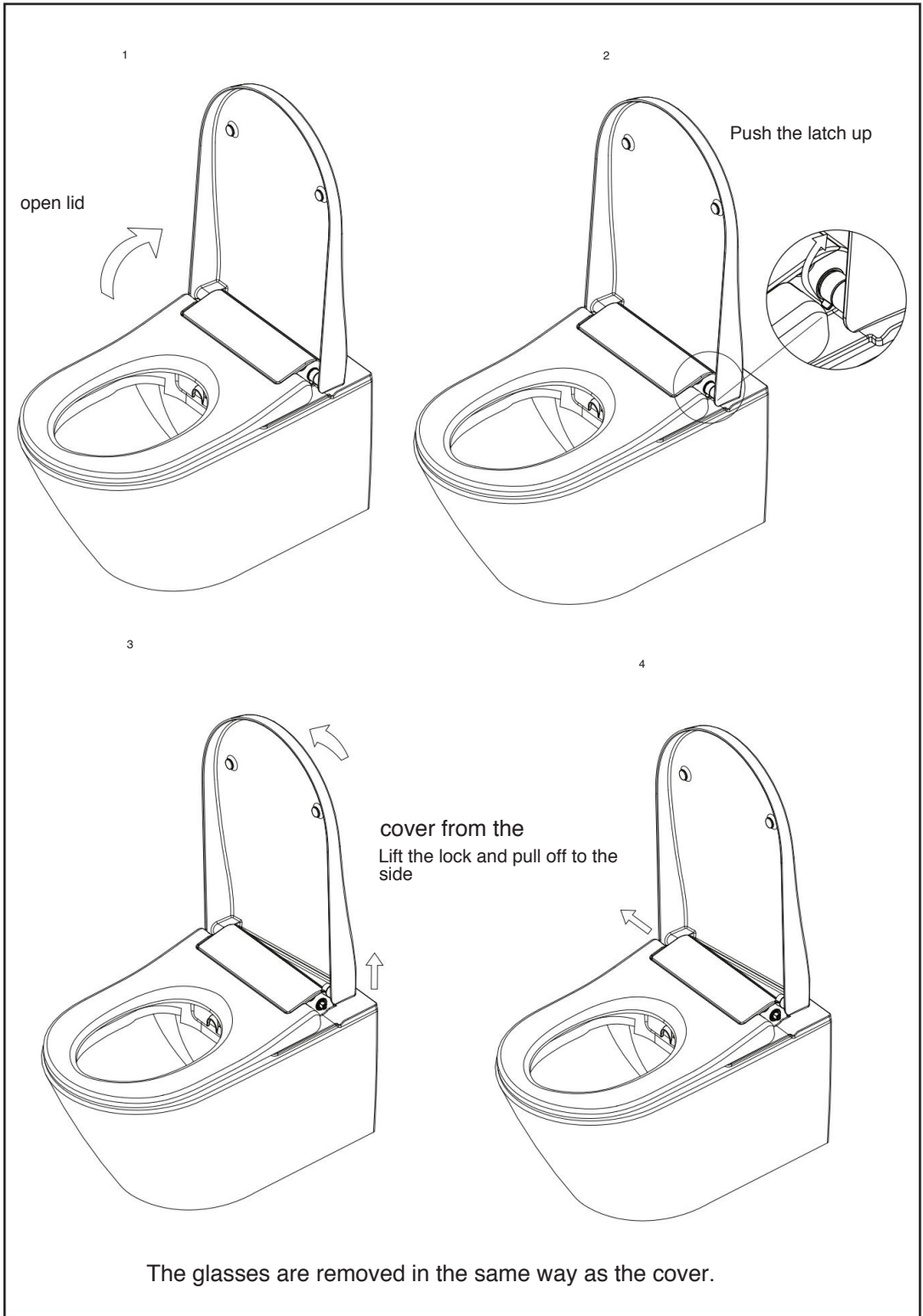


1. The water supply line and electrical connection must be disconnected before emptying the tank.
2. Never lay or turn the device upside down



1. Turn the tank cap to the "OPEN" position and pull out the cap.
(ATTENTION water runs out directly, hold the device over the toilet ceramic or a bucket)
2. After no more water runs out of the housing, put the tank cap back into the tank and turn it to the "CLOSE" position

Removing and installing seat and cover



Connect the remote control to a shower toilet

The remote control is connected to your shower toilet by default. This function is only required if you have installed several shower toilets in the vicinity.

- 1.) Turn off the night light. (Page 12 "Night light setting") and open the glasses and lid.

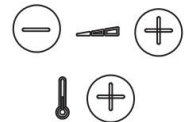
- 2.) Simultaneously press the "STOP" button and the button "Increase temperature" and hold for a few seconds until you hear a beep from the device.
The first control lamp should now light up.



- 3.) Release the "STOP" button, but keep holding the button "Increase temperature".
Keep pressing "Increase temperature".



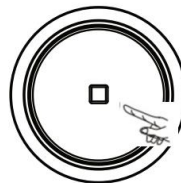
- 4.) Press the "Reduce water pressure" then "Increase water pressure" buttons one after the other and then release the "Temperature increase" button.
At this time, the product's currently set ID code indicator is on, and the 5th indicator light flashes.



- 5.) Now you can press the "Water pressure increase" and "reduce water pressure" assign an ID code.
The indicator lamps light up according to the ID code.



- 6.) After you have set an ID code press the "STOP" button on the control knob and then the "STOP" button on the remote control.



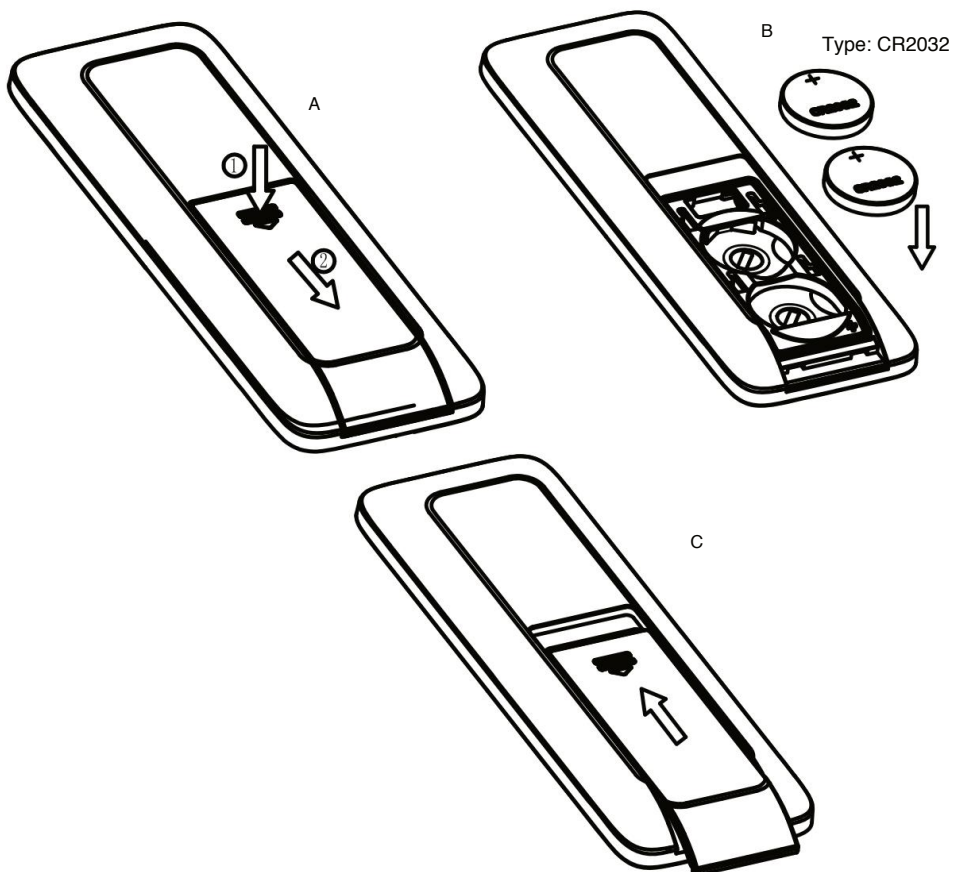
then



Battery replacement

- The remote control requires two batteries of type: 1.5V AAA
If the display LEDs flash, the batteries must be replaced

1. Nicht wiederaufladbare Batterien dürfen nicht aufgeladen werden
2. Wiederaufladbare Batterien sind vor dem Aufladen aus dem Gerät zu entfernen.
3. Do not mix different types of batteries or new and used batteries.
4. The batteries must be inserted with the correct polarity.
5. The used batteries should be removed from the device and disposed of safely.
6. If the device is stored unused for a long period of time, should the batteries are removed.
7. The supply terminals must not be short-circuited



troubleshooting

The shower toilet is not working

Please check the power supply.

Please open the water stop valve or check the water supply.

The seat condition was not registered. Please sit on the seat again and adjust the seat position if the seat state is not registered by the sensor.

The nozzle drops suddenly

The wash cycle lasts 2 minutes. After 2 minutes the nozzle goes back. This is the normal process.

Please press the corresponding button (bottom or lady wash) to start the washing process again.

There may be problems with the water supply. Please check whether the water supply is guaranteed.

The seat sensor may have detected that the user has left the seat. Check your seating position.

Low water temperature

The temperature is set too low. Please set the temperature correctly according to the user manual.

Delayed extension of the nozzle

The nozzle automatically cleans itself before each shower. The cleaning is the reason for the delayed extension of the nozzle.

Low dryer / air temperature

The temperature is set too low. Please set the temperature correctly according to the user manual.

Night light does not work or always lights up

Set the light according to the operating instructions.

The nozzle returns automatically during manual cleaning

When cleaning the nozzle manually, the spray arm returns to its original position after five minutes.

You can cancel the process by pressing the stop button on the remote control or the control knob.

Please note that the entire toilet seat is not closed when the nozzle is being cleaned.

The light will flash twice with a constant beep

The water temperature may be too high. Unplug the power cord and turn off the water supply.

Then restore the power and water supplies. Then start the shower toilet again.

The light around the button keeps flashing

The cause could be a technical problem. Please check the electricity and water supply again. Restart the shower toilet. Please contact a professional if the light keeps flashing continuously.

Water runs for a long time without a button being pressed

This may be due to the tank's self-cleaning function (hygiene cleaning). If the device is not used for 72 hours, the tank will be cleaned and refilled itself for about 5 minutes.

MZ-PODEX
GmbH & Co.KG

Grundbachweg 3
D-87538 Fischen/Allgäu
Tel. : +49 (8326) 38 67 83-0
Fax : +49 (8326) 38 67 83-5
info@popodusche.de
www.popodusche.de