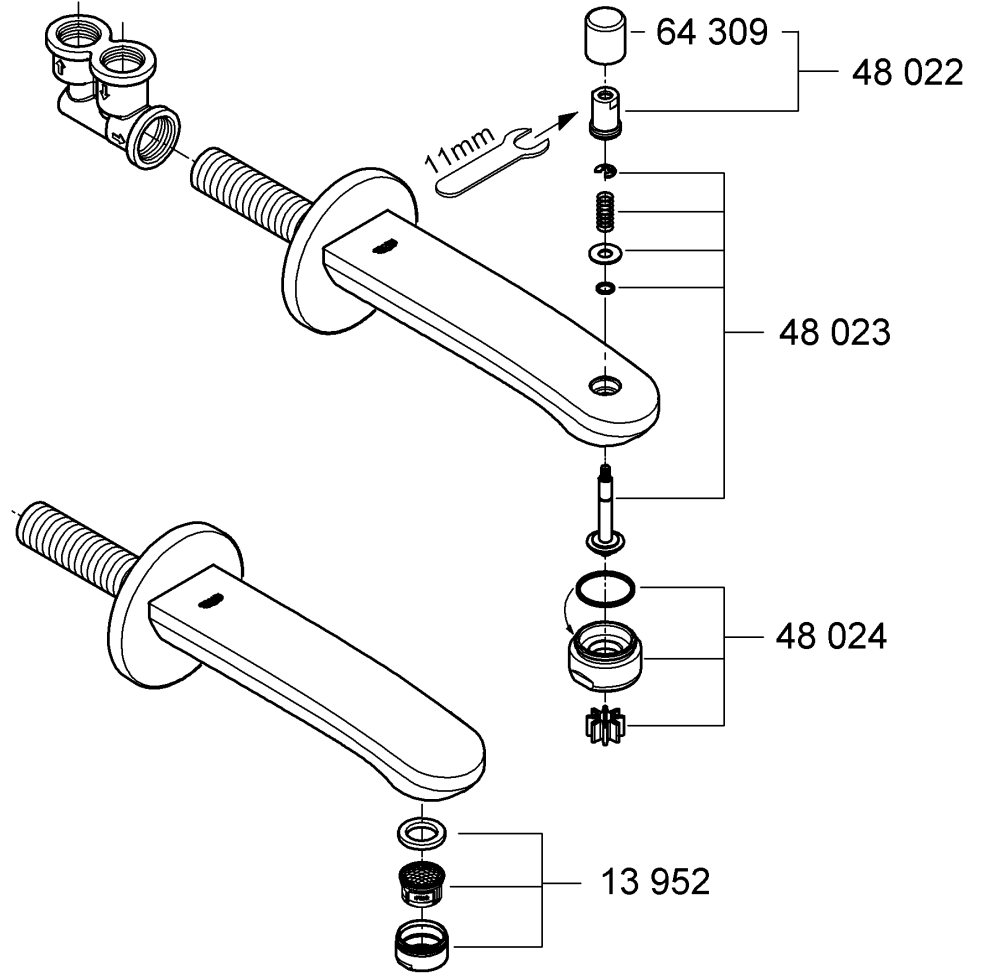
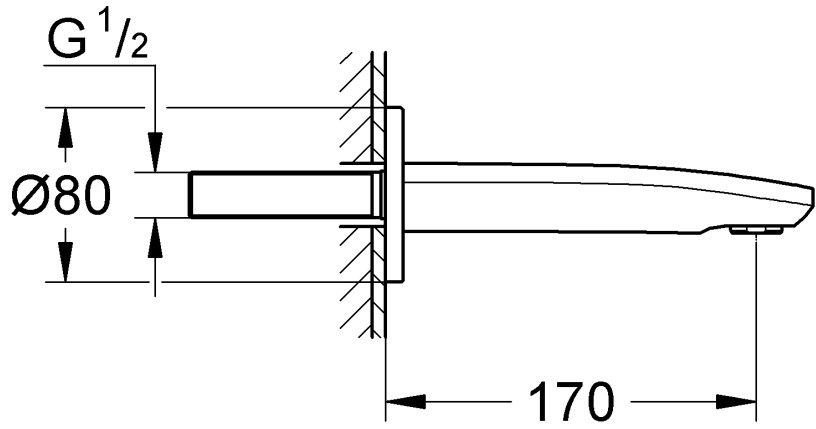
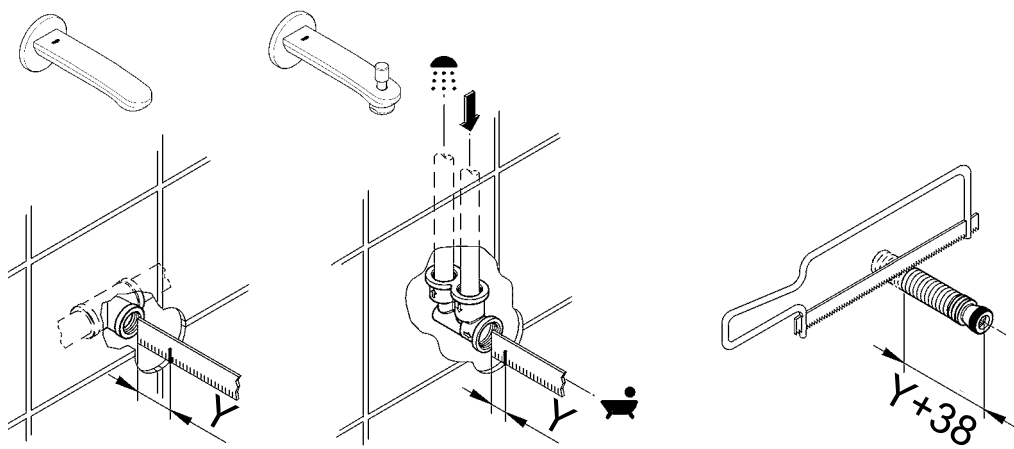
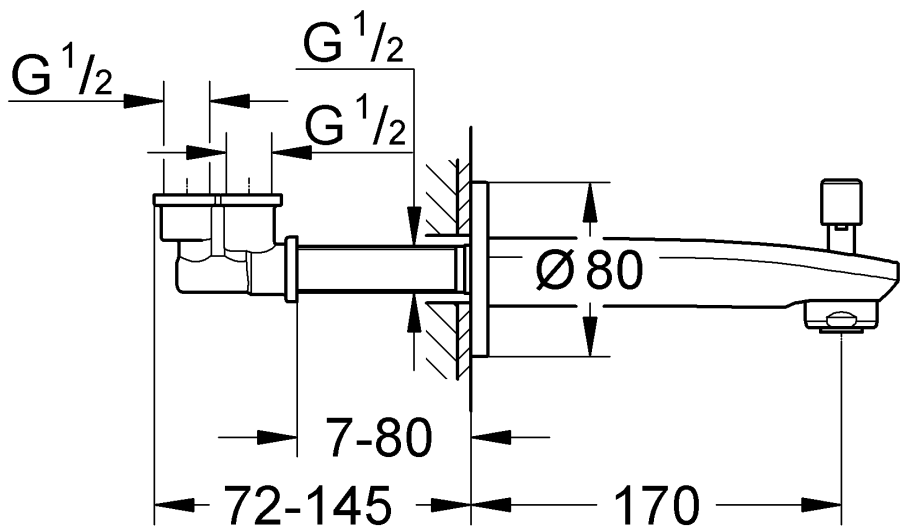


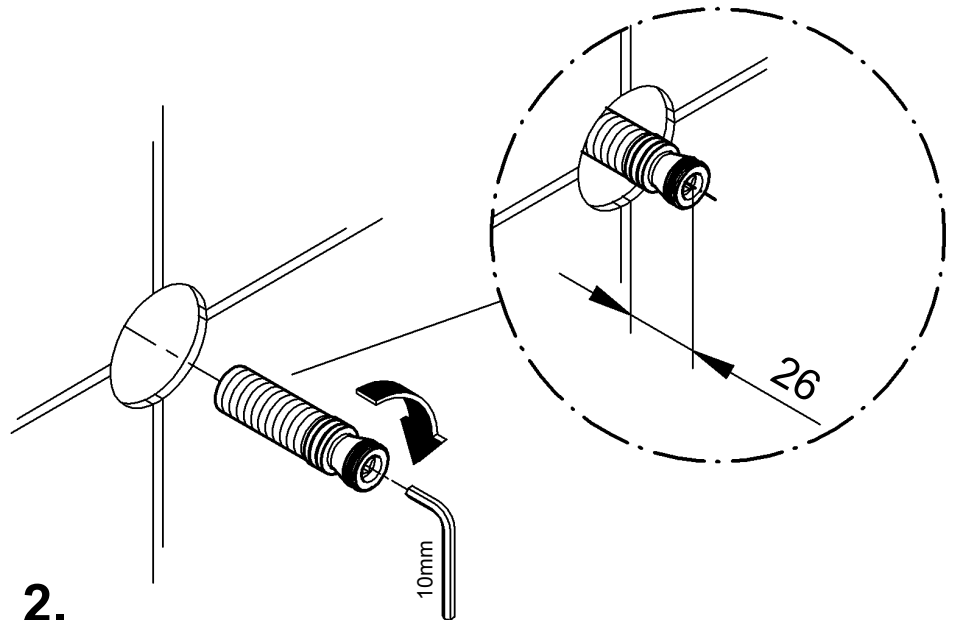
13 276



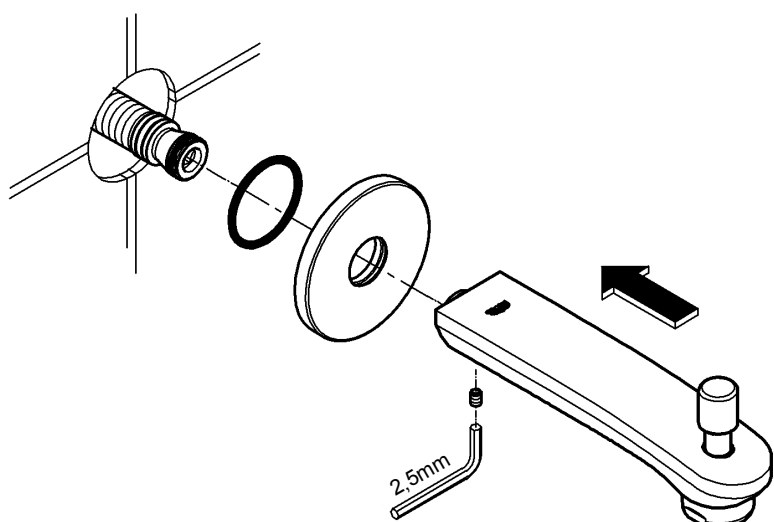
13 277



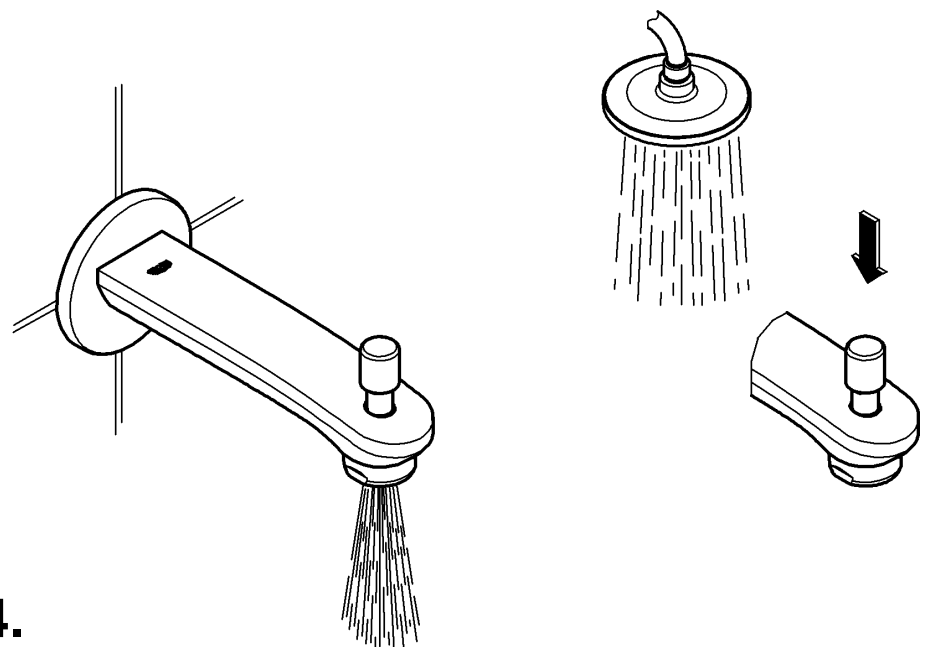
1.



2.



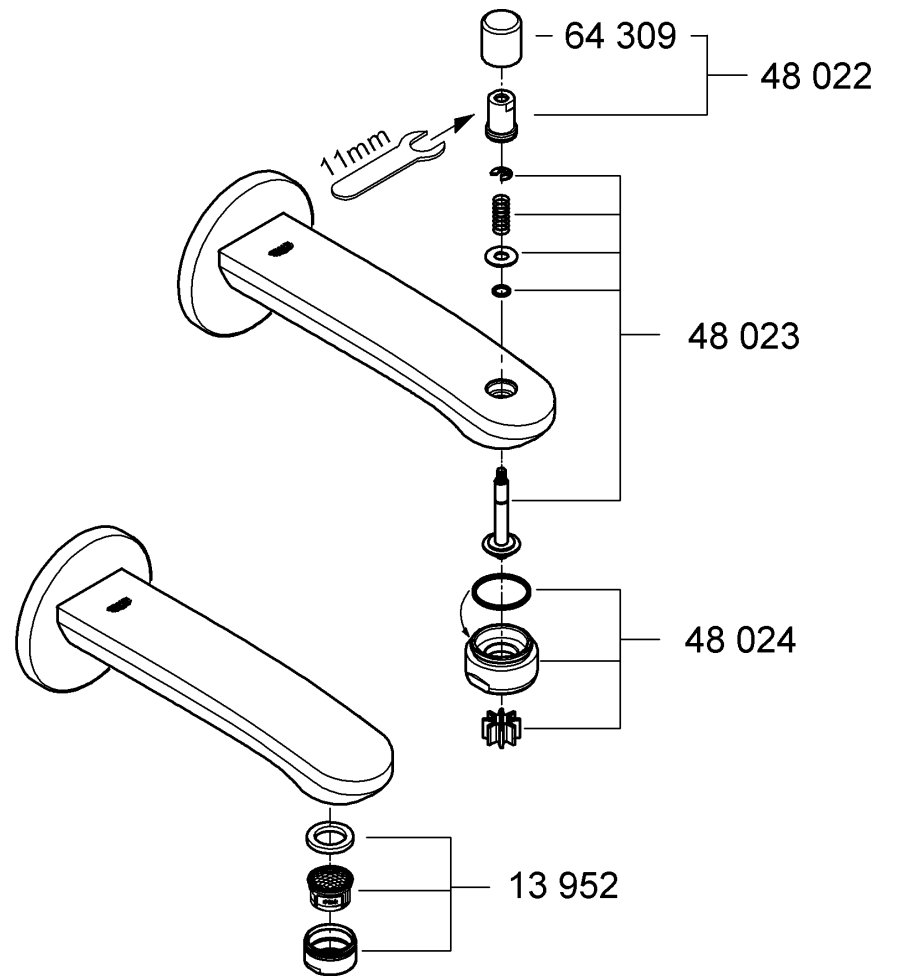
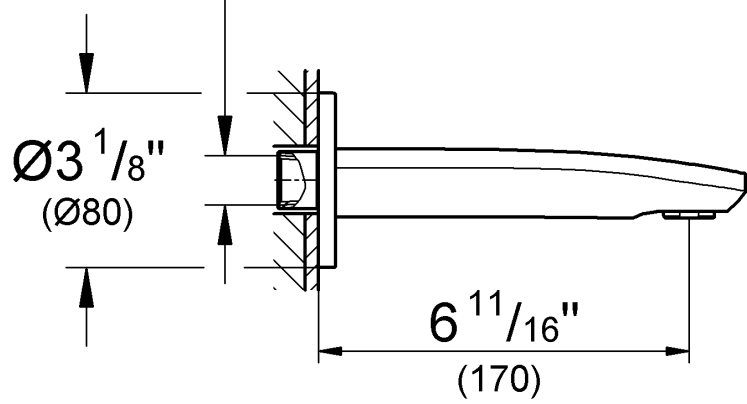
3.



4.

13 284

1/2" NPT-FIP



13 285

1/2" NPT-FIP

